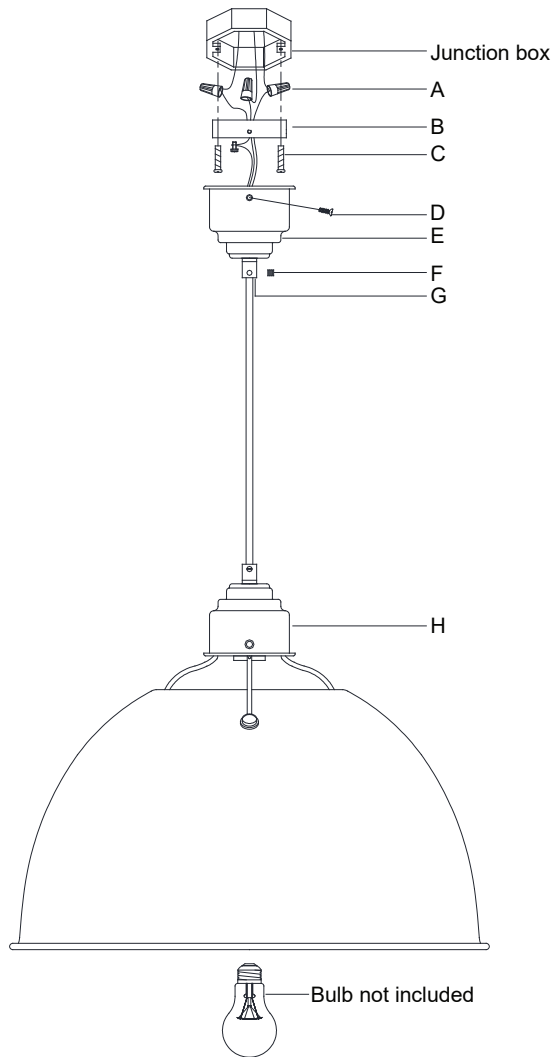


## ASSEMBLY INSTRUCTIONS



### Eugene Large Pendant

Item # TOB 5000

**WE RECOMMEND INSTALLATION OF THIS LIGHTING FIXTURE BE DONE BY A LICENSED ELECTRICIAN.**

**WARNING\*\*\*SWITCH OFF THE MAIN ELECTRICAL SUPPLY FROM THE MAIN FUSE BOX/CIRCUIT BREAKER BEFORE INSTALLATION.**

**INSPECT ITEM CAREFULLY BEFORE ATTEMPTING TO INSTALL. IF THERE IS ANY DAMAGE OR OBVIOUS DEFECT. DO NOT INSTALL.**

**ITEM MAY NOT BE RETURNED ONCE IT HAS BEEN INSTALLED.**

**NOTE: CAREFULLY UNPACK EACH PIECE IN TOP LAYER OF PACKING PRIOR TO REMOVING. RETAIN ALL PACKING MATERIAL UNTIL INSPECTION AND INSTALLATION ARE FINAL.**

1. Carefully remove all parts from the box.
2. Remove the mounting plate (B) from canopy (E) by unscrewing the canopy screws (D).
3. Install the mounting plate (B) to junction box and secure with the mounting screws (C).
4. Adjust shade to desired height by unscrewing the set screw (F) . Once shade height is achieved. Secure with the set screw (F) and shorten the extra cable by using a pair of cutters (not included), be certain to leave enough length to connect to the wires in the junction box.
5. Strip the insulation on the fixture wires about 5/8".
6. Wrap the fixture green wire to the green ground screw on the mounting plate (B) and secure, then connect to the ground wire in the junction box using the wire nut (A).  
IT IS IMPERATIVE THAT THIS FIXTURE BE GROUNDED.
7. Connect the fixture white wire to the neutral wire in the junction box using the wire nut (A).
8. Connect the fixture black wire to the hot wire in the junction box using the wire nut (A).  
DO NOT REVERSE THE HOT AND NEUTRAL CONNECTIONS OTHERWISE SAFETY WILL BE COMPROMISED.
9. Install the canopy (E) to the mounting plate (B) and secure with the canopy screws (D).
10. Insert bulb (not included) into the socket.
11. Installation is complete, turn on power at fuse or circuit breaker.

\*\*\*Clean with a dry, soft cloth only. Use no harsh abrasives or chemical agents.