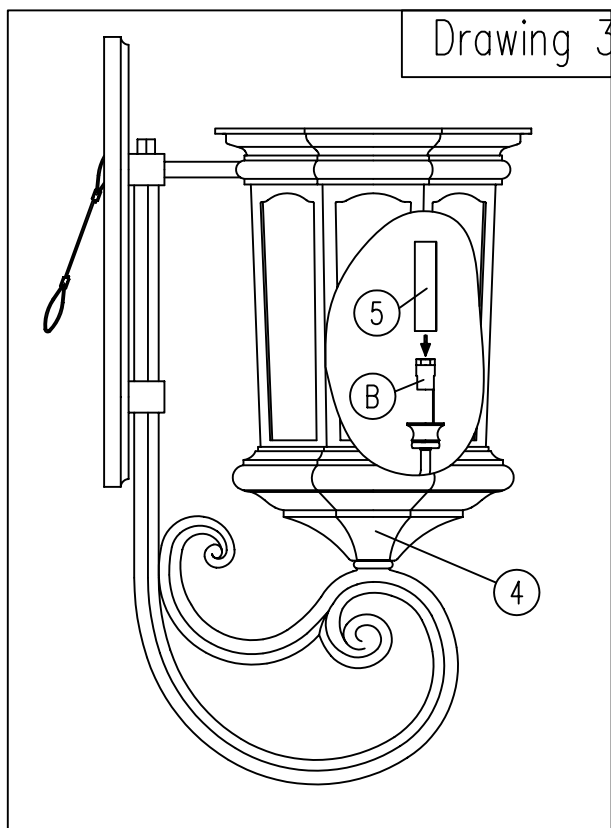
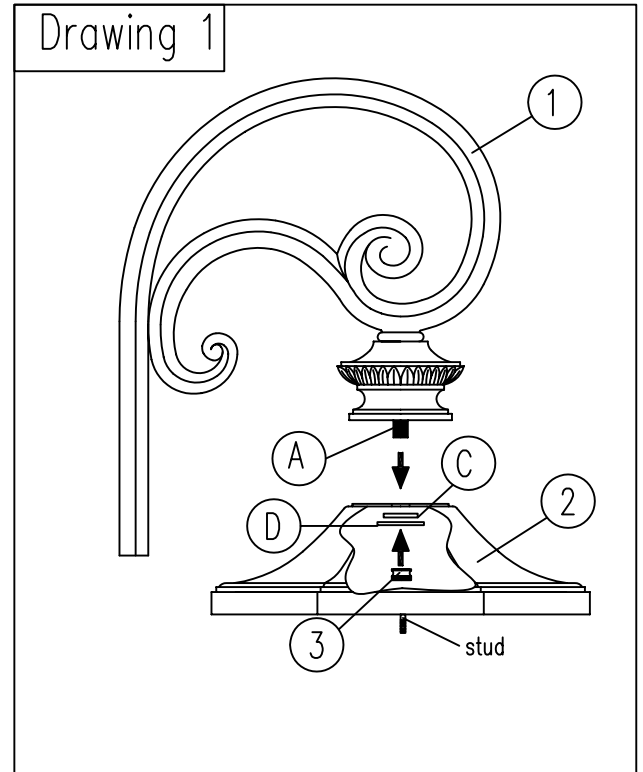
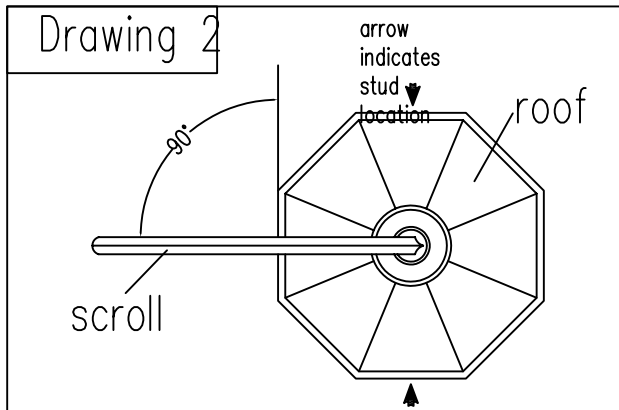


Roof Assembly Instructions

NOTE: Refer to drawing 1 for part identification

1. Remove top scroll (1) and roof (2) from carton. Thread nipple (A) into top scroll. Now slip roof center hole (2) over nipple (A). Then slip rubber washer (C) and metal washer (D) onto nipple (A) and thread cap (3) onto portion of nipple (A) that extends through the roof. Drawing 2 below shows how roof and scroll should be aligned before cap nut is tightened. When this is completed please go to cage assembly instructions.



Cage Assembly Instructions

NOTE: Refer to Drawing 3 for parts identification.

1. Extract cage sub assembly (4) from carton and remove all packaging material from inside.
2. Locate the candle sleeves (5) required and slip them over the four sockets (B).
3. Fixture can now be lamped. Note: 40 watt per bulb is the maximum recommended wattage.
4. Cage Assembly can now be mounted following instructions provided.

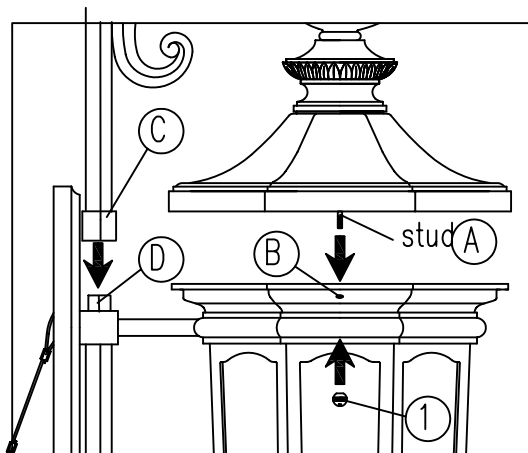
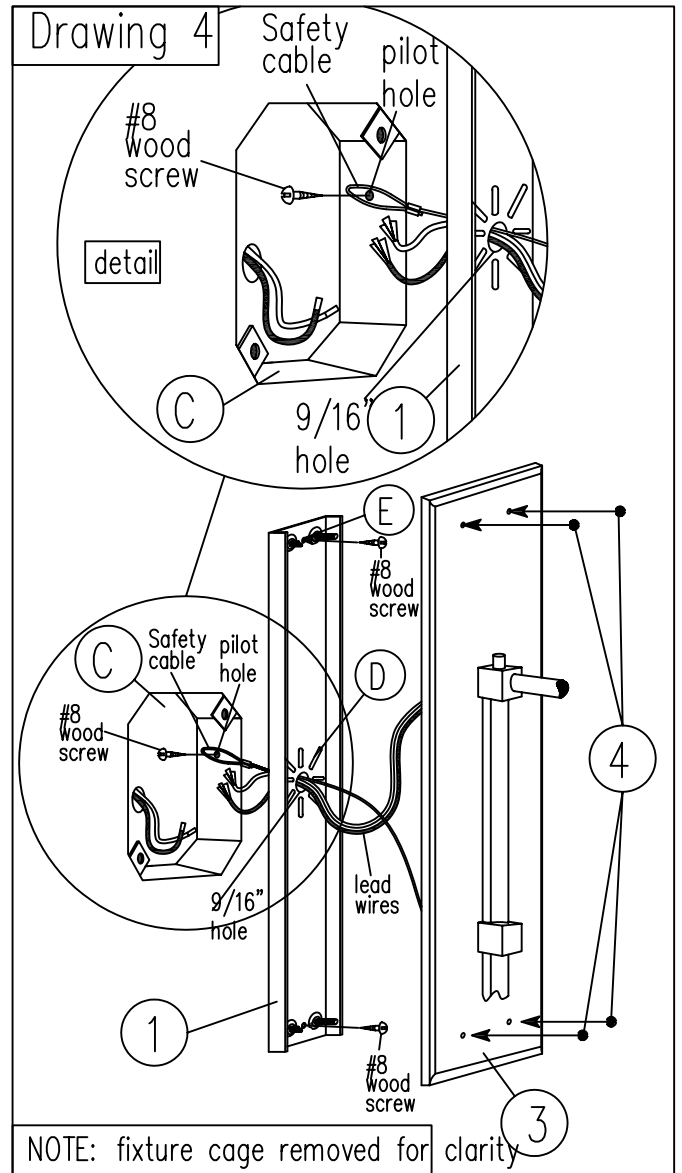
Assembly Instructions for 1609 MB/TN (continued)

NOTE: All electrical power to junction box were fixture is to be mounted should be shut off before proceeding with the mounting instructions!

Mounting Instructions

The 1609 fixture has a metal mounting plate and a safety cable that is used in mounting the fixture to junction box. Please follow the instructions below. (See drawing 4 for reference)

1. Preparation for mounting of the safety cable to the junction box (C) in your wall should be done at this point. Using a $\frac{1}{8}$ " diameter drill, drill a pilot hole in the side of the junction box that is attached to the wood wall stud. This pilot hole will be the point at which the safety cable will be attached.
2. Remove the four ball knobs (4) holding mounting plate (1) to the fixtures backplate (3).
3. Using junction box (C) as a reference determine which knockouts (D) should be removed from mounting plate.
4. Slip safety cable and lead wires through $\frac{9}{16}$ " dia. hole in mounting plate (1). (see detail to right for reference)
5. Holding fixture cage assembly (5) up to junction box (C) attach looped end of safety cable to junction box using a #8 wood screw. (not provided)
6. Wire fixture according to instruction sheet I.S. 18 provided.
7. After wire connections are made attach mounting plate to junction box using two 8-32 machine screws (6). Two additional mounting points (E) at the top and bottom of the mounting plate should be anchored to wall using #8 wood screws (not provided).
8. Fixture may now be attached to mounting plate using the four ball knobs (4) removed from fixture earlier.



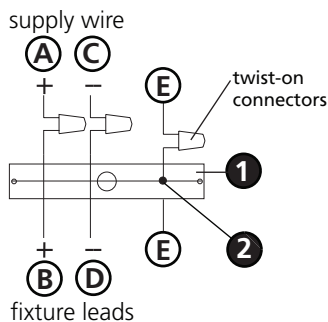
Roof and relamping instructions

1. Remove ball knobs (1) from roof studs (A).
2. Align roof studs (A) with holes in roof (B), and align base block of scroll (C) with square peg (D) on backplate arm.
3. After stud (A) pass through hole in roof (B) thread ball knob (1) on to protruding end.
4. To relamp fixture follow these instructions in reverse order.

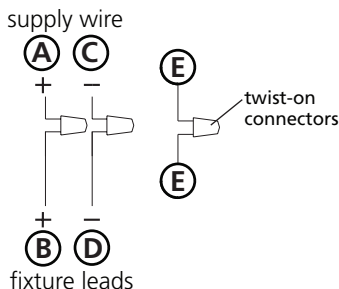
Drawing 1 - Flush Mount



Drawing 2 - Chain Hung



Drawing 3 - Post-Mount



SAFETY WARNING: READ WIRING AND GROUNDING INSTRUCTIONS (I.S. 18) AND ANY ADDITIONAL DIRECTIONS. TURN POWER SUPPLY OFF DURING INSTALLATION. IF NEW WIRING IS REQUIRED, CONSULT A QUALIFIED ELECTRICIAN OR LOCAL AUTHORITIES FOR CODE REQUIREMENTS.

wiring instructions

Indoor Fixtures

1. Connect positive supply wire **(A)** (typically black or the smooth, unmarked side of the two-conductor cord) to positive fixture lead **(B)** with appropriately sized twist on connector - see **Drawings 1 or 2**.
2. Connect negative supply wire **(C)** (typically white or the ribbed, marked side of the two-conductor cord) to negative fixture lead **(D)**.
3. Please refer to the **grounding instructions** below to complete all electrical connections.

Outdoor Fixtures

1. Connect positive supply wire **(A)** (typically black or the smooth unmarked side of the two-conductor cord) to positive fixture lead **(B)** with appropriately sized twist on connector - see **Drawings 2 or 3**.
2. Connect negative supply wire **(C)** (typically white or the ribbed, marked side of the two-conductor cord) to negative fixture lead **(D)**.
3. Cover open end of connectors with silicone sealant to form a watertight seal.
 - If installing a wall mount fixture, use caulk to seal gaps between the fixture mounting plate (backplate) and the wall. This will help prevent water from entering the outlet box. If the wall surface is lap siding, use caulk and a fixture mounting platform specially.
4. Please refer to the **grounding instructions** below to complete all electrical connections.

grounding instructions

Flush Mount Fixtures

For positive grounding in a 3-wire electrical system, fasten the fixture ground wire **(E)** (typically copper or green plastic coated) to the fixture mounting strap **(1)** with the ground screw **(2)** - see **Drawing 1**.

Note: On straps for screw supported fixtures, first install the two mounting screws in strap. Any remaining tapped hole may be used for the ground screw.

Chain Hung Fixtures

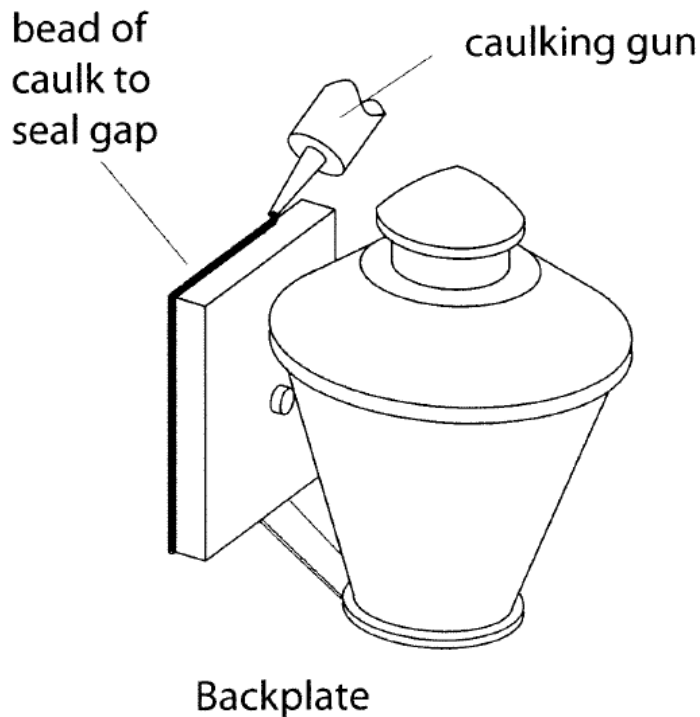
Loop fixture ground wire **(E)** (typically copper or green plastic coated) under the head of the ground screw **(2)** on fixture mounting strap **(1)** and connect to the loose end of the fixture ground wire directly to the ground wire of the building system with appropriately sized twist-on connectors - see **Drawing 2**.

Post-Mount Fixtures

Connect fixture ground wire **(E)** (typically copper or green plastic coated) to power supply ground with appropriately sized twist-on connector inside post. Cover open end of connector with silicone sealant to form a watertight seal - see **Drawing 3**.

 **start here**

1. After securing fixture to the wall it is recommended that the gap between the wall and the fixture backplate be sealed with any good quality waterproof caulk or silicone sealant, on the top and sides leaving the bottom open as a weep hole.
(NOT INCLUDED) see Drawing 1.



Drawing 1