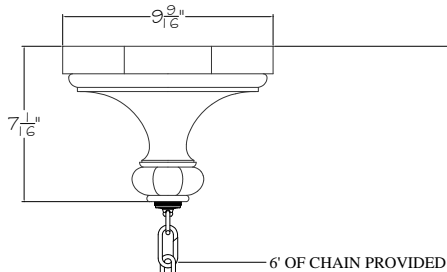
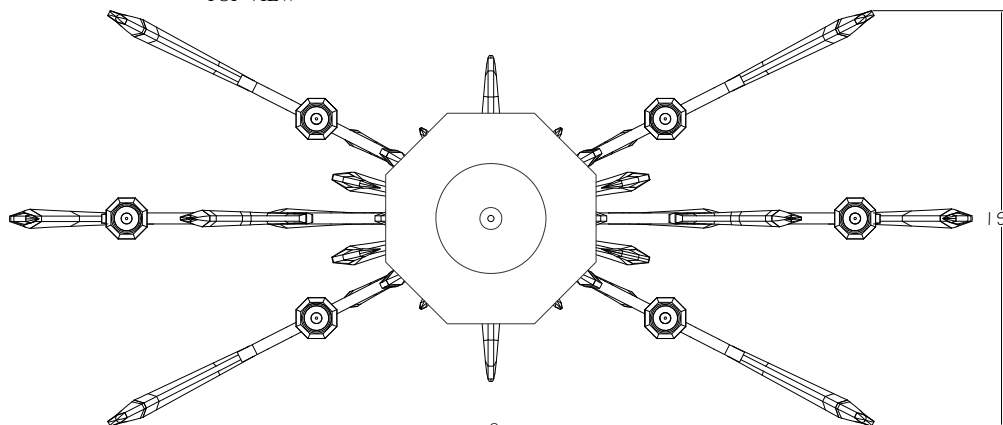


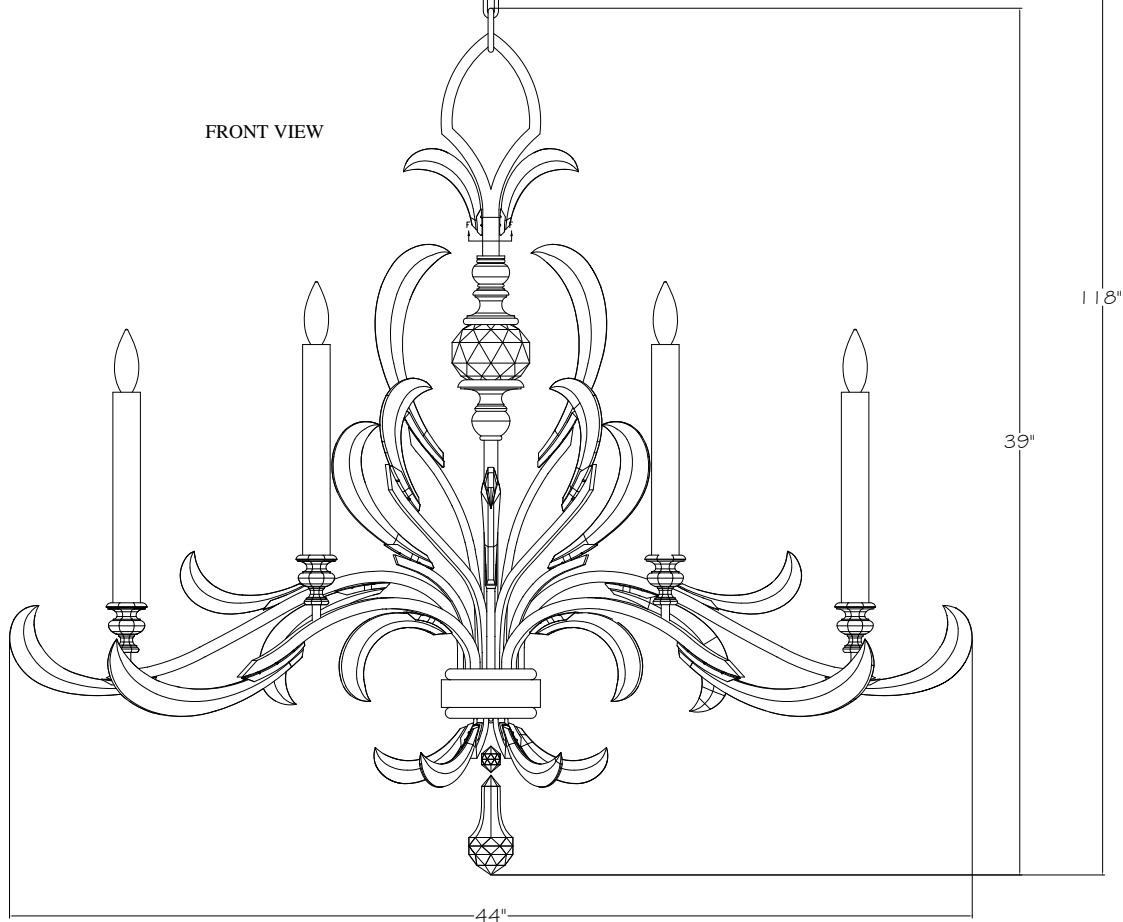
CUSTOMER REFERENCE INSTRUCTIONS

REV.	ECN # IF APPLIC.	REVISION DESCRIPTION	REQD. BY	DRAFTER	DATE
1	NA	ORIGINAL RELEASED VERSION	NA	MAR	03/11/08
2	N/A	ADD DIM. TO CANOPY	B	AG	6/9/09

TOP VIEW



FRONT VIEW



Fine Art
L A M P S

This drawing and specifications are the exclusive property of BLUMBERG INDUSTRIES, INC. issued in strict confidence and shall not, without the prior written permission of BLUMBERG INDUSTRIES, INC., be produced, copied or used for any purpose whatsoever except the manufacture articles for FINE ART LAMPS.

5770-5772 Miami Lakes Dr. East / Miami Lakes, FL 33014
Ph: (305) 821-3850 FAX: (305) 821-1564

STYLE NUMBER: 739240ST

PART NUMBER:

ASSY. INSTRUCTION TEMPLATE

DRAFTER: AG

STYLE ENGINEER:

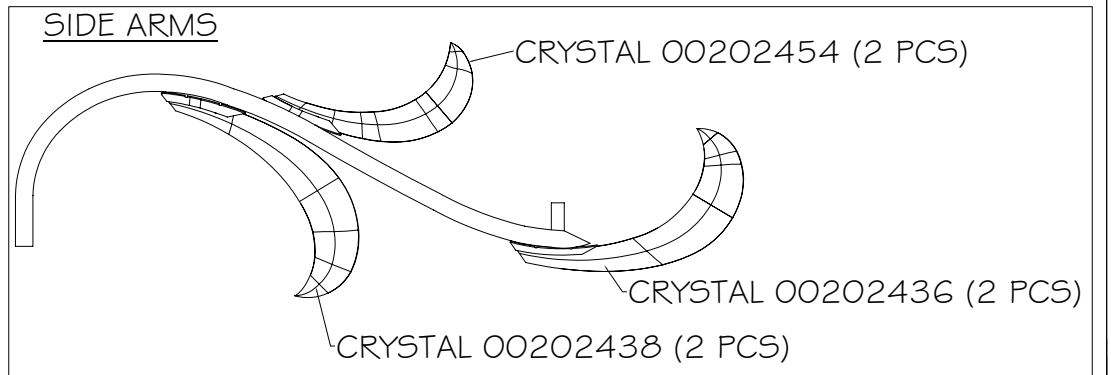
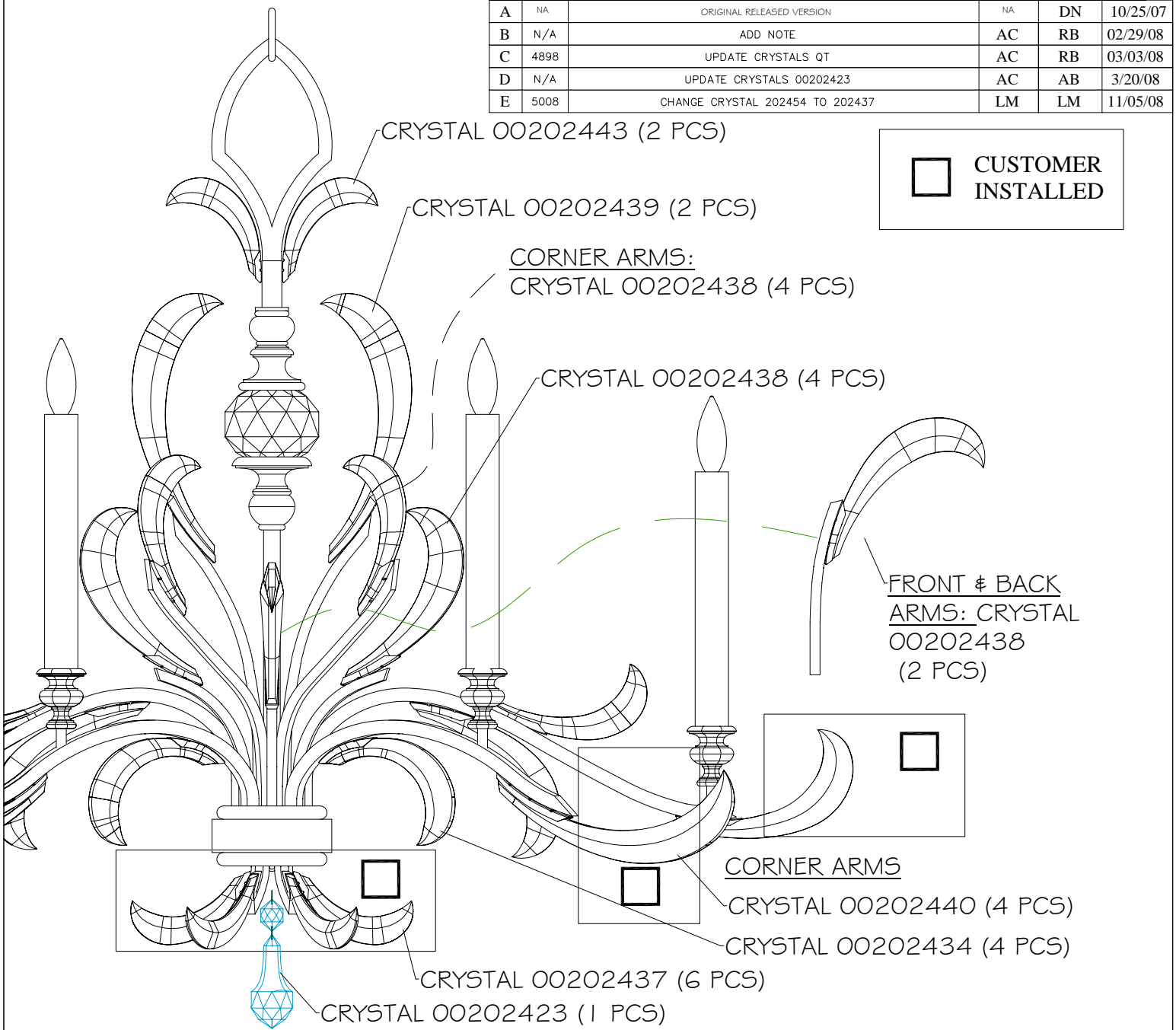
DATE: 6/9/09

REVISION: 2

SHEET: 1 / 1

CRYSTAL LOCATION

REV.	ECN # IF APPLIC.	REVISION DESCRIPTION	REQ'D. BY	DRAFTER	DATE
A	NA	ORIGINAL RELEASED VERSION	NA	DN	10/25/07
B	N/A	ADD NOTE	AC	RB	02/29/08
C	4898	UPDATE CRYSTALS QT	AC	RB	03/03/08
D	N/A	UPDATE CRYSTALS 00202423	AC	AB	3/20/08
E	5008	CHANGE CRYSTAL 202454 TO 202437	LM	LM	11/05/08



This drawing and specifications are the exclusive property of BLUMBERG INDUSTRIES, INC. issued in strict confidence and shall not, without the prior written permission of BLUMBERG INDUSTRIES, INC., be produced, copied or used for any purpose whatsoever except the manufacture articles for FINE ART LAMPS.

5770-5772 Miami Lakes Dr. East / Miami Lakes, FL 33014
Ph: (305) 821-3850 FAX: (305) 821-1564

STYLE NUMBER: 739240ST

PART NUMBER: 00790632